

Edlund New! SG-2 NSF Stainless Manual Can Openers

For operators who only require a lighter duty manual can opener but want full stainless steel protection, Edlund introduces the SG-2 Model. The flagship of our popular G-2 Series Openers, this new model is all stainless steel, dishwasher safe, and features our patented quick change knife and gear system, and comes with a full two year warranty. A great opener for a Global Marketplace.



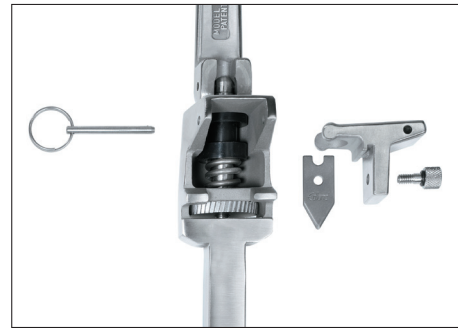
- NSF Certified
- 2 year warranty
- Dishwasher safe
- All stainless steel construction
- For uses up to 15-20 cans per day
- Parts remove easily for replacement
- Long version available for taller cans
- Available with screw down S/S base or clamp model
- Made in the U.S.A.

A “g”reat new opener for lighter duty applications



Both models available with standard stainless steel screw down base or stainless clamp base

SG-2 available with standard or long bar model for taller cans



The SG-2's patented Quick Change mechanism makes knife and gear replacement fast and easy

SPECIFICATIONS:

MODEL #	DESCRIPTION	PRODUCT CODE	CASE CUBE FT ³ /M ³	CASE WEIGHT LBS./KGS
SG-2	NSF STAINLESS OPENER WITH STANDARD BAR AND STAINLESS BASE	13100	3.3/0.1	18/8.1
SG-2C	WITH STAINLESS CLAMP BASE	13200	3.3/0.1	20/9
SG-2L	WITH LONG BAR AND STAINLESS BASE	13300	3.3/0.1	20/9
SG-2CL	WITH LONG BAR AND STAINLESS CLAMP BASE	13400	3.3/0.1	22/9.8



Edlund *We're in your kitchen.*TM

Edlund Company LLC, 159 Industrial Parkway, Burlington, VT 05401, USA 800-772-2126 www.edlundco.com

WARRANTY INFORMATION: THE EDLUND COMPANY WARRANTS THESE PRODUCTS TO BE FREE FROM DEFECTS IN MATERIAL AND WORKMANSHIP FOR A PERIOD OF ONE YEAR FROM DATE OF PURCHASE. THE COMPANY'S OBLIGATION UNDER THIS WARRANTY IS LIMITED TO REPAIRING OR REPLACING WITHOUT CHARGE ANY PART OR PARTS FOUND TO BE DEFECTIVE UNDER NORMAL USE. IT IS THE RESPONSIBILITY OF THE PURCHASER TO RETURN THE ENTIRE UNIT TO THE FACTORY, TRANSPORTATION CHARGES PREPAID. THIS WARRANTY DOES NOT COVER PARTS THAT MUST BE REPLACED UNDER NORMAL USE, INCLUDING KNIVES AND DRIVE GEARS ON CAN OPENERS. NO OTHER WARRANTY, WRITTEN OR VERBAL, IS AUTHORIZED BY THE COMPANY. WARRANTY INFORMATION OUTSIDE THE UNITED STATES MAY VARY, CONSULT YOUR DISTRIBUTOR.